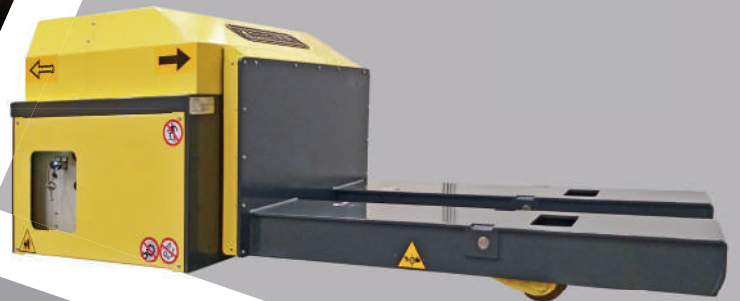


MORELLO

MATERIAL HANDLING TECHNOLOGY SINCE 1946

MODEL SGAE-E $\pm 90^\circ$ P 5,5/2 - TRANSPALLET



5,5 tons capacity



Battery powered



5 km autonomy



Command by remote controller



Turning radius 2200 mm



Forks dimension 1500 x 300 mm

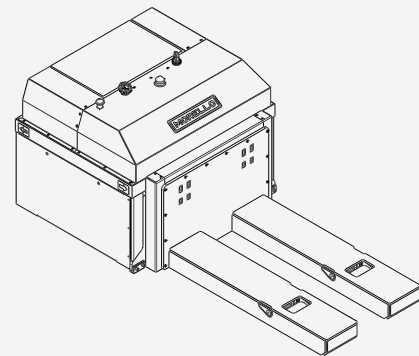
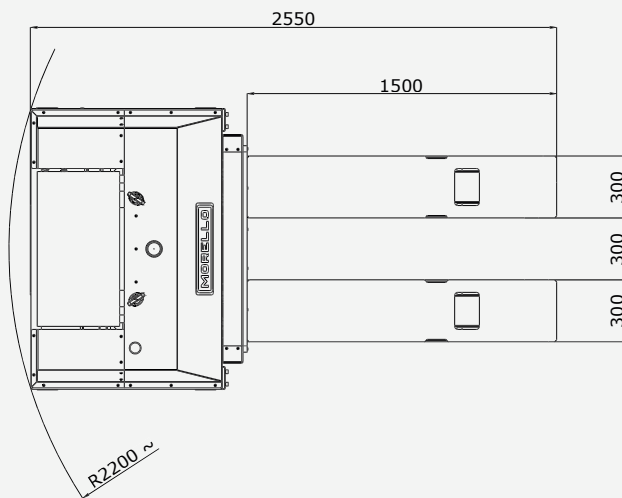
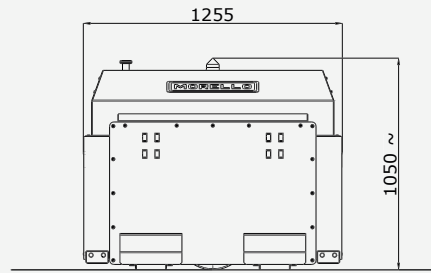
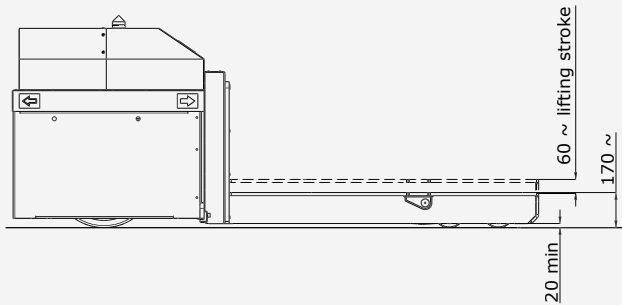


Suitable for concrete floor



Liftable loading deck

SGAE-E ±90° P 5,5/2 - TRANSPALLET



TECHNICAL DATA

WORKING LOAD LIMIT	5,5 t distributed
FORKS LENGTH	1500 mm
FORKS WIDTH	300 mm
DISTANCE BETWEEN FORKS	300 mm
FORKS HEIGHT	170/230 mm
KIND OF WHEELS	Polyurethane – suitable for concrete levelled floor
CONTROL	Radio controller
LIFTING DECK	Yes – lifting stroke 60 mm
CLIMBING ABILITY	1%
SPEED	Up to 40 m/min with full load
BATTERY	Lead-acid (lithium as option)
BATTERY AUTONOMY	5 km approx. (on flat floor, 50% with full load and 50% without load)