

MORELLO

MATERIAL HANDLING TECHNOLOGY SINCE 1946

MODEL SGAE VC R 30/2



30 tons capacity



Battery powered



4,5 km autonomy



Command by remote controller



Turning radius 3280 mm



LCD diagnostic screen



Loading deck 4000 x 2000 mm

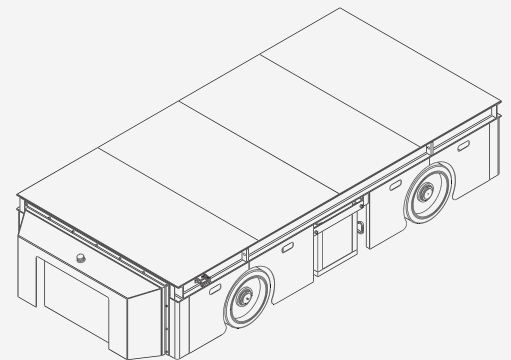
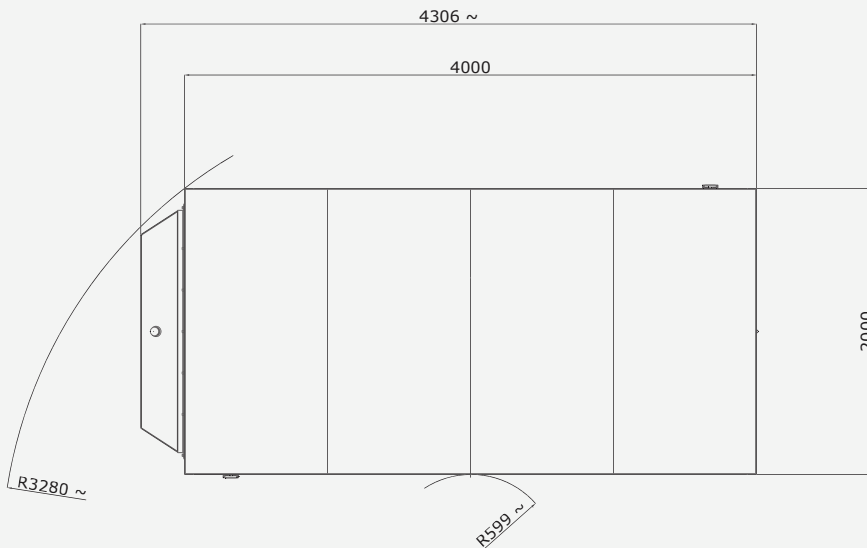
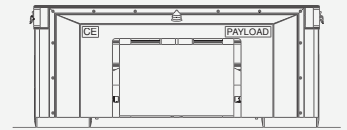
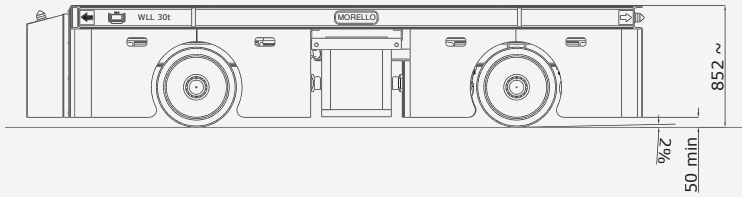


Suitable for concrete
and asphalt floor



Checker steel plate deck
covering

SGAE VC R 30/2



TECHNICAL DATA

WORKING LOAD LIMIT	30 t distributed
LOADING DECK LENGTH	4000 mm
LOADING DECK WIDTH	2000 mm
LOADING DECK HEIGHT	850 mm
WHEELS NUMBER	4 (2 driven)
KIND OF WHEELS	Solid rubber – suitable for concrete and asphalt levelled floor
CONTROL	Wired controller + Radio controller
LIFTING DECK	No
CLIMBING ABILITY	2%
SPEED	Up to 20 m/min with full load
BATTERY	Lead-acid (lithium as option)
BATTERY AUTONOMY	4,5 km approx. (on flat floor, 50% with full load and 50% without load)

MORELLO GIOVANNI S.r.l.
L.go Dora Colletta 85/A
10153 Turin (Italy)

+39 (0)11/2480569
info@morelogiovanni.it
www.morelogiovanni.it

MORELLO
MATERIAL HANDLING TECHNOLOGY SINCE 1946